

CLSN4T11 Air Duct Temperature Sensor

Product Data



GENERAL

The CLSN4T11 Air Duct Temperature Sensor is used for duct temperature measurement in ventilation and air-conditioning vents. It can be employed in the following control systems:

- PANTHER
- SERVAL
- TIGER

or other systems using NTC20k Ω temperature sensing elements.

FEATURES

- NTC20k Ω temperature sensing element in stainless steel pipe.
- Adjustable immersion depth.
- Wide sensing range.
- High accuracy

SPECIFICATIONS

Sensor element	NTC20k Ω thermistor
Resistance	20 k Ω at 25 °C
Operating range	-20...+80 °C
Accuracy	0.3 K at 25 °C
Sensitivity	$\approx -934.5 \Omega / K$ at 25 °C (non-linear)
Response time	$\tau_{0.5} \approx 35$ sec
Dimensions (H x W x D)	See Fig. 2
Housing	Plastic (PC), V1 as per UL 94
Electrical connection	terminals for 2 x 1.5 mm ² cable
Ambient temperature	0...+50 °C
Humidity	5...95% r.h., non-condensing
Protection standard	IP 30 (in vertical orientation)

For technical information on the NTC thermistor, see EN0B-0476GE51.

INSTALLATION

NOTE: Use shielded wiring in areas with high EMI. Keep 15 cm minimum distance between sensor lines and 230 Vac power lines.

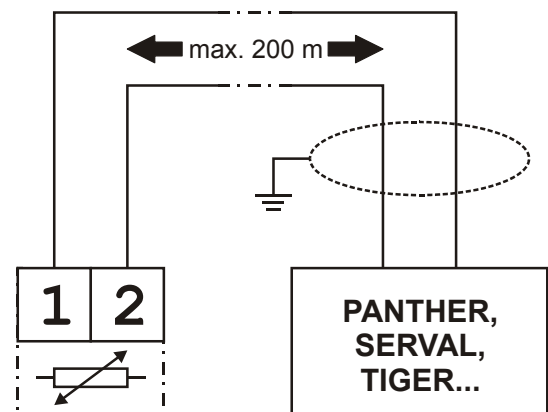


Fig. 1. Wiring

DIMENSIONS

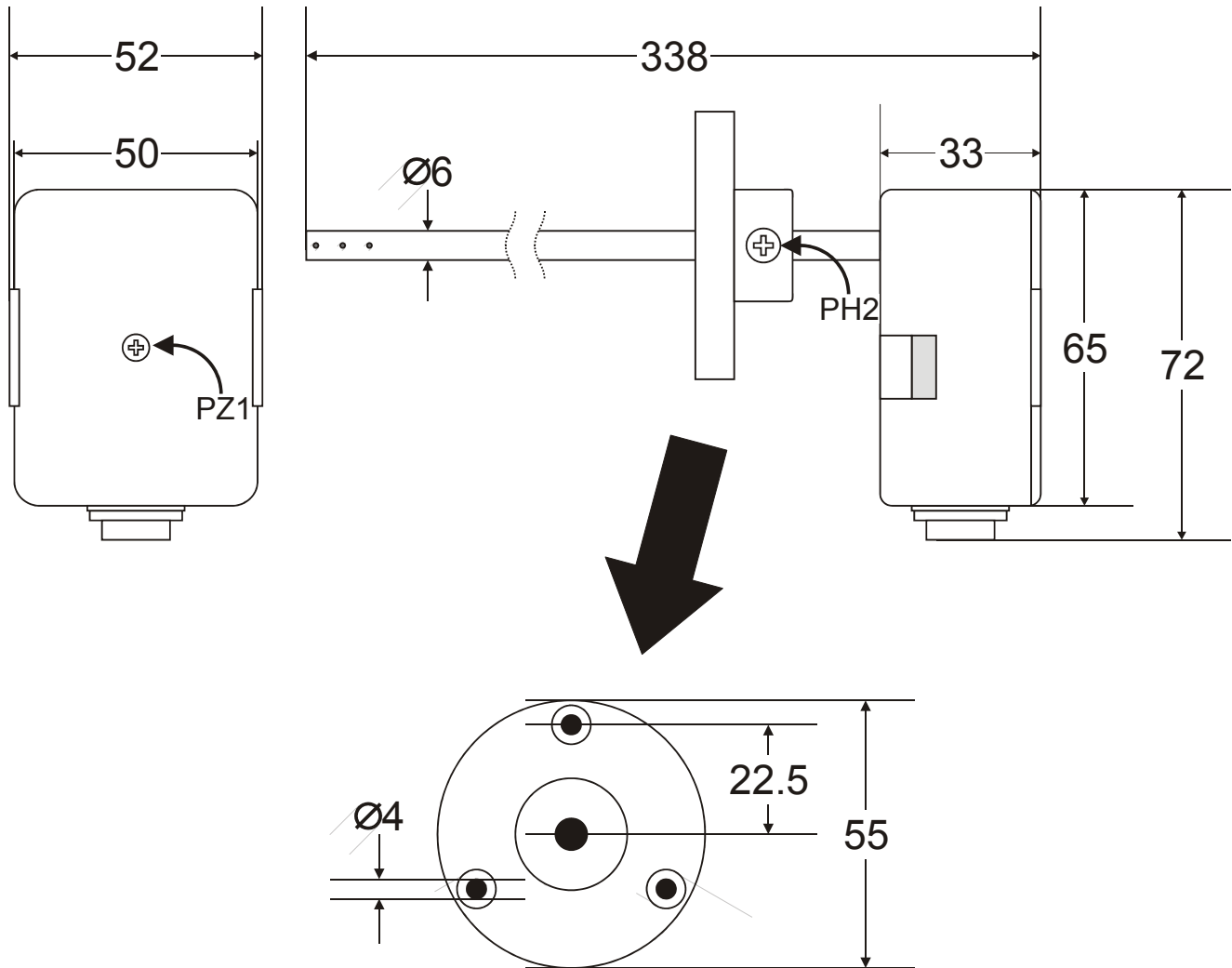


Fig. 2. Dimensions (in mm)

Manufactured for and on behalf of the Environmental and Combustion Controls Division of Honeywell Technologies Sàrl, Ecublens, Route du Bois 37, Switzerland by its Authorized Representative:

CentraLine
 Honeywell GmbH
 Böblinger Straße 17
 D-71101 Schönaich
 Tel +49 7031 637 845
 Fax +49 7031 637 846
info@centraline.com
www.centraline.com

Printed in Germany.
 Subject to change
 without notice.
 EN0Z-0918GE51 R0907

CENTRA[®]
LINE
 by Honeywell